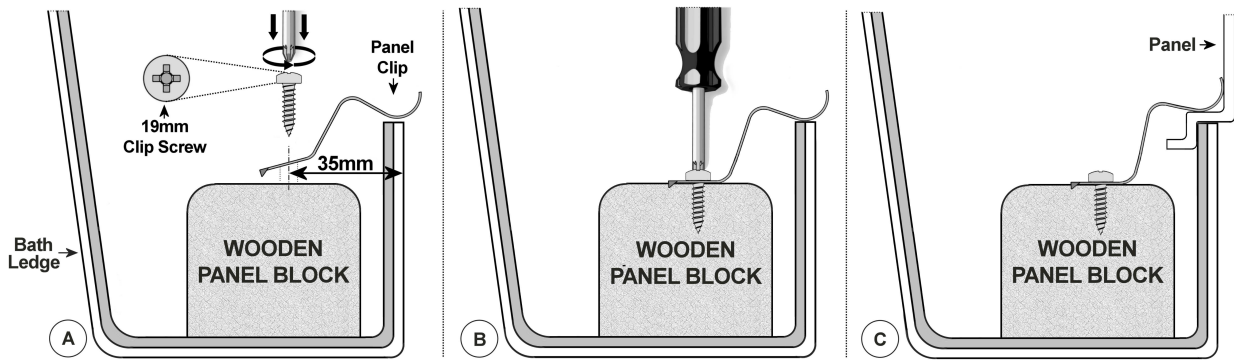
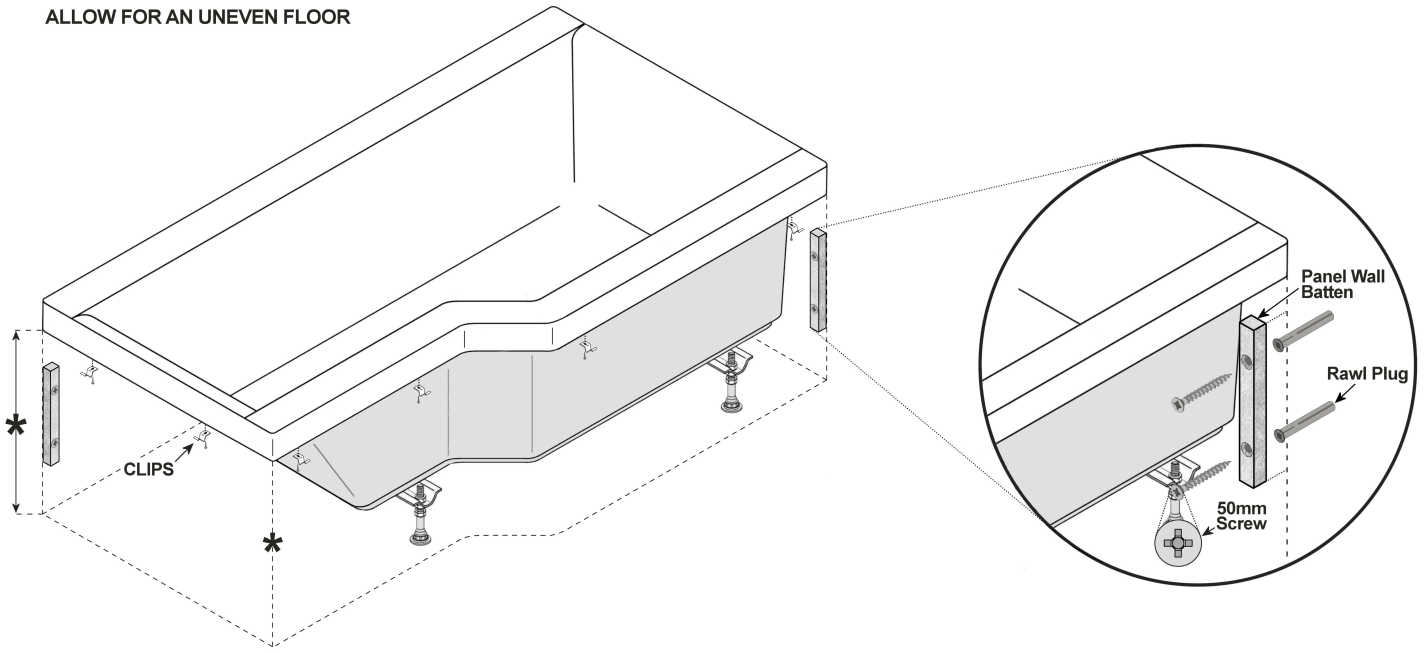
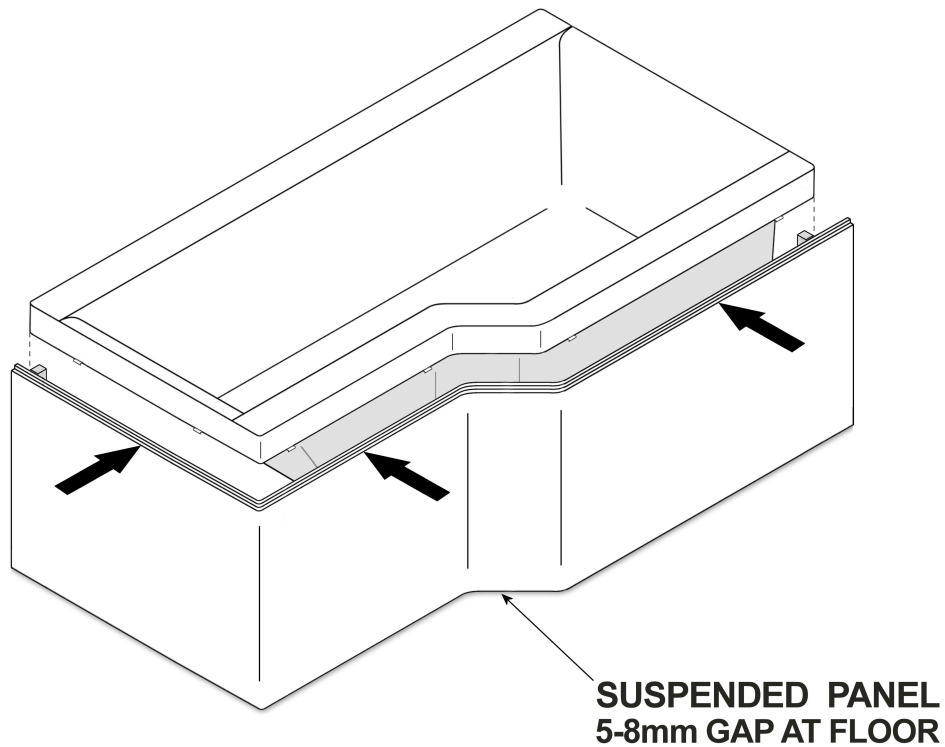


PANEL INSTALLATION

* REFER TO HEIGHT
OF PANEL CHOSEN
ALLOW FOR AN UNEVEN FLOOR



INSTALL PANEL CLIP AS ILLUSTRATED ABOVE.



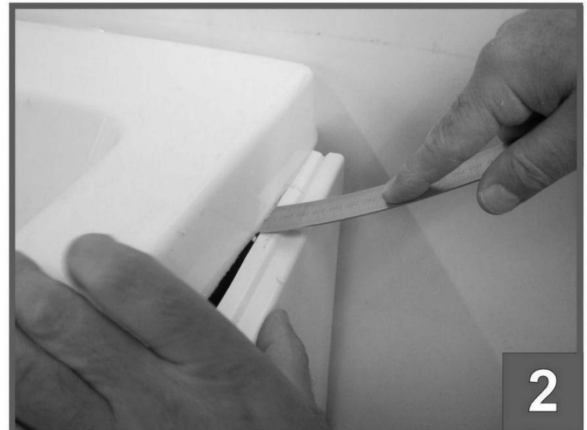
LP-UK-0125B

ILLUSTRATION DRAWING - NOT TO SCALE

PANEL INSTALLATION



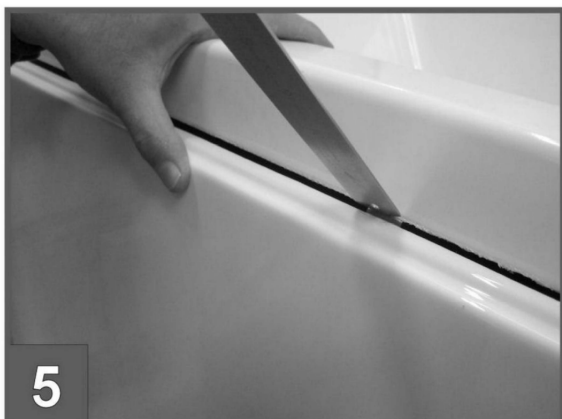
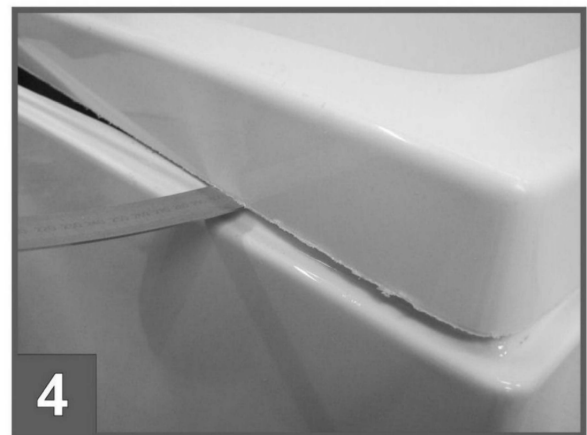
- Offer up the small end of the panel to the bath. (See picture 1)



- Using a metal ruler or paint scraper push down on the clip while pushing the panel inwards. (See picture 2)



- Using the same method continue to the corner clips, pushing down simultaneously. (See picture 3 & 4)



- Continue down the full length of the bath using the same method until the panel is suspended by the clip system. (See picture 6)



LP-UK-0066C

*** REFER TO HEIGHT
OF PANEL CHOSEN**