

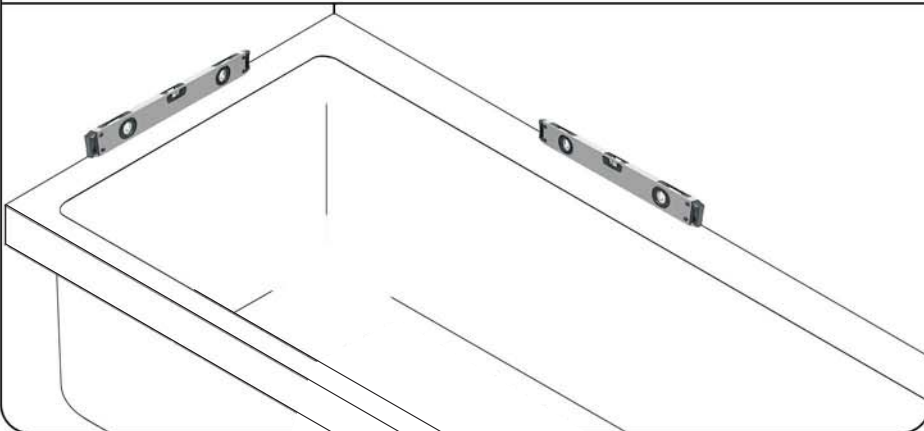
HGL/R SCREEN

1 IMPORTANT

- Handle with care
- The screen requires 2 people to carry and install.
- Check for cables and pipework before drilling the wall.
- Use safety goggles when drilling.
- Use safety goggles when handling the glass.
- Keep all small components away from children.

Please notify the retailer of any damages or faults. The manufacturer cannot be held liable for any installation costs that may arise from a damaged or faulty product being installed.

- ## 2
- Check that your bath has been installed correctly to the manufacturer's guidelines. (Bath not supplied)



3

Tools Required (Not Supplied)

Spirit Level



Pencil



Screwdriver



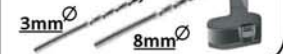
Silicone Gun
& Sealant



Tape Measure



Power Drill &
Suitable
Bits



4

