

CARRONITE

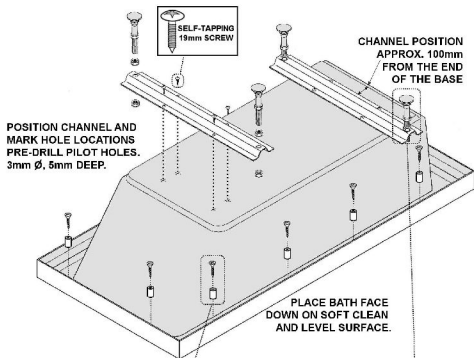
INSTALLATION

INSTRUCTIONS

Installation

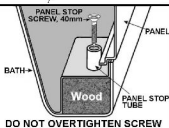
- All baths are fully inspected as part of our Quality Control process prior to leaving the factory. However, please ensure that you remove all packing, including the protective film, and fully inspect the bath for any damage, before commencing installation. No claims will be accepted for damage after installation.
- When attaching the bath installation kit, place bath face down on a soft, clean, and level surface.
- Ensure entire bath surface is fully protected during and until bathroom installation is complete.

Rectangular Bath Guide



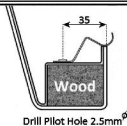
PANEL STOP INSTALLATION

Offer panel to upturned bath, to mark location and fit panel stops.

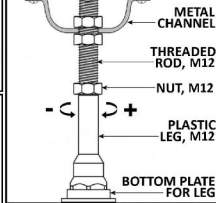


L-SHAPE PANEL INSTALLATION

Details of clip positioning will be contained in Clip / Screw Bag attached to panel



ENCAPSULATED BASEBOARD

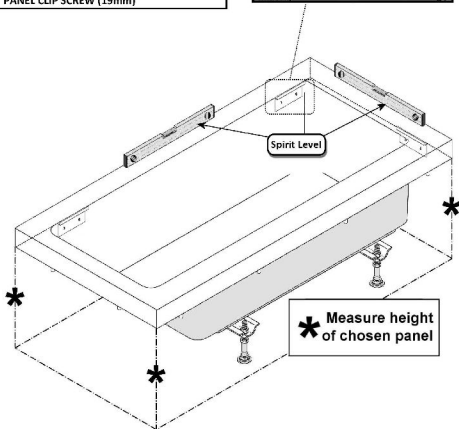
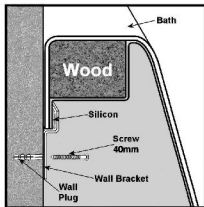


CONTENTS

- 2 METAL CHANNEL
- 4 THREADED ROD (M12)
- 12 HEXAGON NUT (M12)
- 8 SELF-TAPPING SCREW (19mm)
- 6 SCREW (40mm)
- 6 WALL PLUG
- 4 PLASTIC LEG (M12), WHITE
- 4 BOTTOM PLATE FOR LEG, WHITE
- 3 WALL BRACKETS
- 6 PANEL STOP TUBE
- 6 PANEL STOP SCREW (40mm)

In some models, clips may be packed with the panel

- 6 PANEL CLIP
- 6 PANEL CLIP SCREW (19mm)



* Measure height of chosen panel

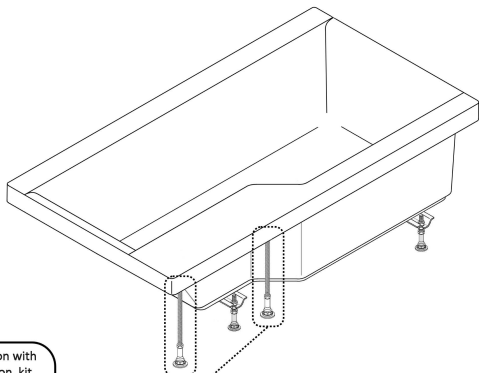
Acrylic bath care & maintenance instructions

- Cleaning should be done immediately after use, whilst the bath is still warm.
- Clean the bath thoroughly with warm, soapy water regularly after use. This will stop a build up of dirt and soap residue.
- After cleaning, rinse thoroughly with clean water.
- Minor scratches can be polished out with a polishing compound such as T-Cut
- Avoid leaving lit cigarettes or any other heat source on or near the surface of the bath.
- Do not bring into contact with sharp-edged or pointed objects.

Warning:

- Abrasive powder cleaners may scratch the surface of your bath.
- Highly coloured bath oils, bathing products and hair dyes can stain the surface of your acrylic bath.
- Care should be taken when using nail polish remover (acetone) or products containing ammonia near your bath, as these can damage the bath surface.

BATH INSTALLATION



To be used in conjunction with
AK-05-C, bath installation kit.

x2 Extended Threaded Rod M10

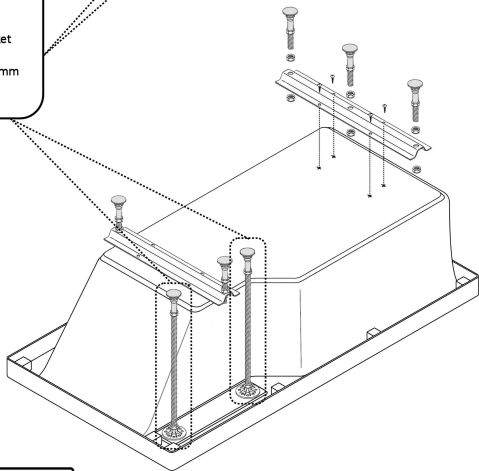
x2 Plastic Leg M10

x2 Bottom Plate For Leg

x2 Single Foot Fixing Bracket

x4 Self Tapping Screw - 19mm

x4 Hexagon Nut M10



AK-12